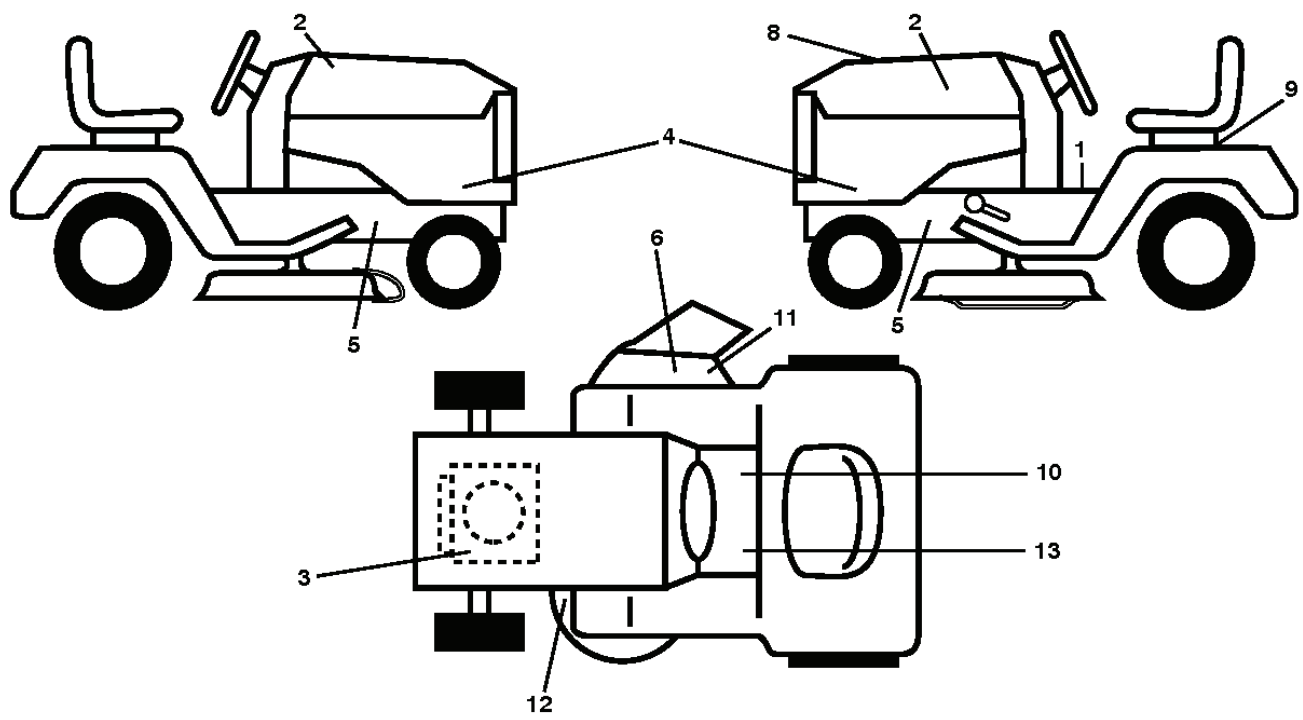


RESERVDELSKATALOG
: HUSQVARNA

Reservdelslista

RESERVDELSLISTA

| REF. | ART. NR | ARTIKELBESKRIVNING | ANMÄRKNING | KIT |
|------|-----------|--------------------|------------|-----|
| 3 | 581056301 | LOGOTYP | | 0 |
| 5 | 532438966 | PANEL | | 0 |
| 14 | 532441267 | HUV | | 0 |
| 15 | 532441428 | LINS | | 0 |
| 18 | 532441368 | GRILLE | | 0 |
| 25 | 532441427 | LINS | | 0 |
| 34 | 532447253 | PLATTA | | 0 |
| 36 | 817060512 | SCREW | | 0 |
| 37 | 532441266 | STÄNKSKÄRM | | 0 |
| 52 | 873680500 | MUTTER | | 0 |
| 58 | 532412280 | PLATTA | | 0 |
| 68 | 817490508 | SCREW | | 0 |
| 125 | 581684801 | KLÄMMA | | 1 |
| 130 | 532416358 | SCREW | | 0 |
| 137 | 532407590 | DAMPING PIECE | | 0 |
| 146 | 581857901 | BULT | | 1 |
| 150 | 532407537 | LUFTLEDARE | | 0 |
| 151 | 532407807 | FÄSTE | | 0 |
| 152 | 532199535 | SKÄRM | | 0 |
| 159 | 817000612 | SCREW | | 0 |
| 162 | 532142432 | SCREW | | 0 |
| 175 | 532199472 | PLATTA | | 0 |
| 176 | 532400776 | SCREW | | 0 |
| 177 | 532195228 | BUSHING | | 0 |
| 180 | 532415063 | RAM | | 0 |
| 182 | 532407176 | PANEL | | 0 |
| 183 | 874520520 | BULT | | 0 |
| 189 | 817000512 | SCREW | | 0 |
| 191 | 532416501 | INSATS | | 0 |
| 194 | 873900500 | MUTTER | | 0 |
| 199 | 532413485 | PLATTA | | 0 |
| 202 | 532441342 | KÅPA | | 0 |
| 203 | 532441343 | KÅPA | | 0 |
| 204 | 532441375 | KÅPA | | 0 |
| 205 | 532441344 | SKIRT | | 0 |
| 206 | 532441345 | SKIRT | | 0 |
| 213 | 874760512 | BULT | | 0 |
| 214 | 532199145 | KLÄMMA | | 0 |
| 217 | 532409167 | STÅNG | | 0 |
| 218 | 532196395 | PLATTA | | 0 |
| 228 | 532195161 | STUD | | 0 |
| 234 | 532404742 | DAMPING PIECE | | 0 |
| 235 | 532406129 | DISTANSBRICKA | | 0 |
| 236 | 873930500 | MUTTER | | 0 |
| 238 | 532441374 | SPARE PARTS | | 0 |
| 239 | 532404883 | KLÄMMA | | 0 |
| 282 | 532414110 | KLÄMMA | | 0 |
| 283 | 532442039 | DECK | | 0 |
| 284 | 532444164 | KONSOL | | 0 |
| 285 | 532416315 | KONSOL | | 0 |
| 286 | 532416317 | KONSOL | | 0 |
| 287 | 817600406 | SCREW | | 0 |
| 297 | 532406665 | INSATS | | 0 |
| 306 | 873900600 | MUTTER | | 1 |
| --- | 532439976 | PLUGG | | 0 |

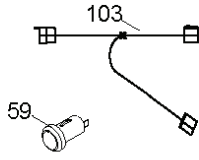


| REF. | ART. NR | ARTIKELBESKRIVNING | ANMÄRKNING | KIT |
|------|-----------|--------------------|------------|-----|
| 1 | 581578101 | DEKAL | | 0 |
| 2 | 581627301 | DEKAL | | 0 |
| 3 | 581579701 | DEKAL | | 0 |
| 4 | 532448069 | DEKAL | | 0 |
| 5 | 581579601 | DEKAL | | 0 |
| 6 | 584904601 | DEKAL | | 1 |
| 8 | 532448060 | DEKAL | | 0 |
| 9 | 532145005 | DEKAL | | 0 |
| 10 | 581578001 | DEKAL | | 0 |
| 11 | 581579201 | DEKAL | | 0 |
| 12 | 581580003 | DEKAL | | 0 |
| 13 | 581724001 | DEKAL | | 0 |
| -- | 581724801 | DEKAL | | 0 |
| -- | 581724601 | DEKAL | | 0 |
| -- | 532439681 | PLATTA | | 0 |
| -- | 532439682 | DYNA | | 0 |

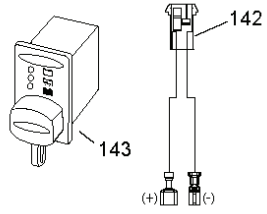
| REF. | ART. NR | ARTIKELBESKRIVNING | ANMÄRKNING | KIT |
|------|-----------|--------------------------------|---------------------------------------|-----|
| 1 | 000000000 | W/O DESCRIPTION | Transaxle, Tufftorq K46BT (426120) | 0 |
| 2 | 532123583 | TANGENT | | 0 |
| 15 | 819131316 | BRICKA | | 0 |
| 17 | 532413678 | SRPING.BRAKE.K46.GREEN*SUBS/2* | | 0 |
| 29 | 532403806 | STÅNG | | 0 |
| 33 | 812000001 | FLÅNSRING | | 0 |
| 35 | 532401031 | STÅNG | | 0 |
| 42 | 532124872 | PEDAL RUBBER | | 0 |
| 49 | 872110614 | BULT | | 0 |
| 50 | 532194327 | REMSKIVA | | 0 |
| 51 | 873900600 | MUTTER | | 0 |
| 52 | 532194326 | REMSKIVA | | 0 |
| 56 | 532130969 | REM | | 0 |
| 64 | 532197865 | AXEL | | 0 |
| 73 | 874490540 | BULT | | 0 |
| 99 | 532415742 | STÅNG | | 0 |
| 116 | 873900500 | MUTTER | | 0 |
| 125 | 817000512 | SCREW | | 0 |
| 143 | 817490508 | SCREW | | 0 |
| 153 | 532124788 | FLÅNSRING | | 0 |
| 159 | 876020412 | SPLIT PIN | | 0 |
| 160 | 532169484 | TAPP | | 0 |
| 161 | 532105709 | FJÄDER | | 0 |
| 163 | 532448275 | REGLAGE | | 1 |
| 166 | 532429164 | MUTTER | | 0 |
| 167 | 532405257 | SPÄRRHAKE | | 0 |
| 170 | 532413430 | REMSTYRARE | | 0 |
| 183 | 532137057 | DISTANSBRICKA | | 0 |
| 184 | 532441407 | BROMS | | 0 |
| 185 | 872110622 | BULT | | 0 |
| 186 | 532194321 | DISTANSBRICKA | | 0 |
| 187 | 819133210 | BRICKA | | 0 |
| 188 | 532194323 | LÄNK | | 0 |
| 189 | 532194317 | PLATTA | | 0 |
| 190 | 532194318 | REMSTYRARE | | 0 |
| 196 | 817000616 | SCREW | | 1 |
| 197 | 585658601 | KOPPLING | | 1 |
| 205 | 532121748 | BRICKA | | 0 |
| 210 | 532400980 | PEDALARM | | 1 |
| 211 | 532120183 | LAGER | | 0 |
| 214 | 532421263 | DYNA | | 1 |
| 215 | 532401723 | PEDALGUMMI | | 1 |
| 216 | 532196131 | FÄSTE | | 0 |
| 221 | 532403187 | FJÄDER | | 0 |
| 222 | 879212010 | BRICKA | | 1 |
| 225 | 532403319 | REMSTYRARE | | 0 |
| 227 | 817490512 | SCREW | | 0 |
| 230 | 532188967 | BRICKA | | 0 |
| 231 | 532407287 | REMSKIVA | | 0 |
| 325 | 586431202 | FÄSTE | | 1 |
| 326 | 586001102 | FÄSTE | | 1 |
| 336 | 587259601 | BULT | | 1 |

T12S

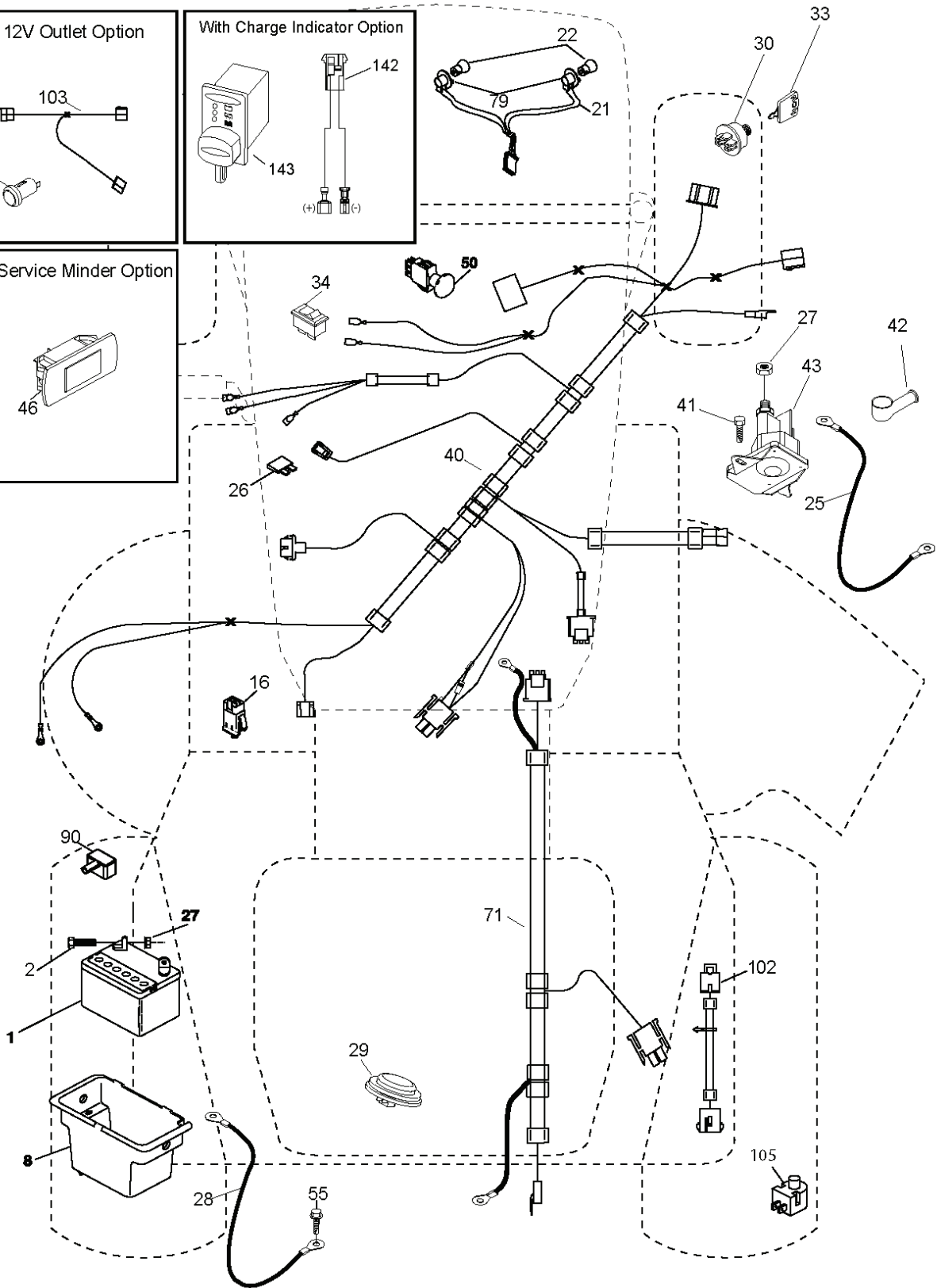
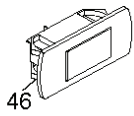
With 12V Outlet Option



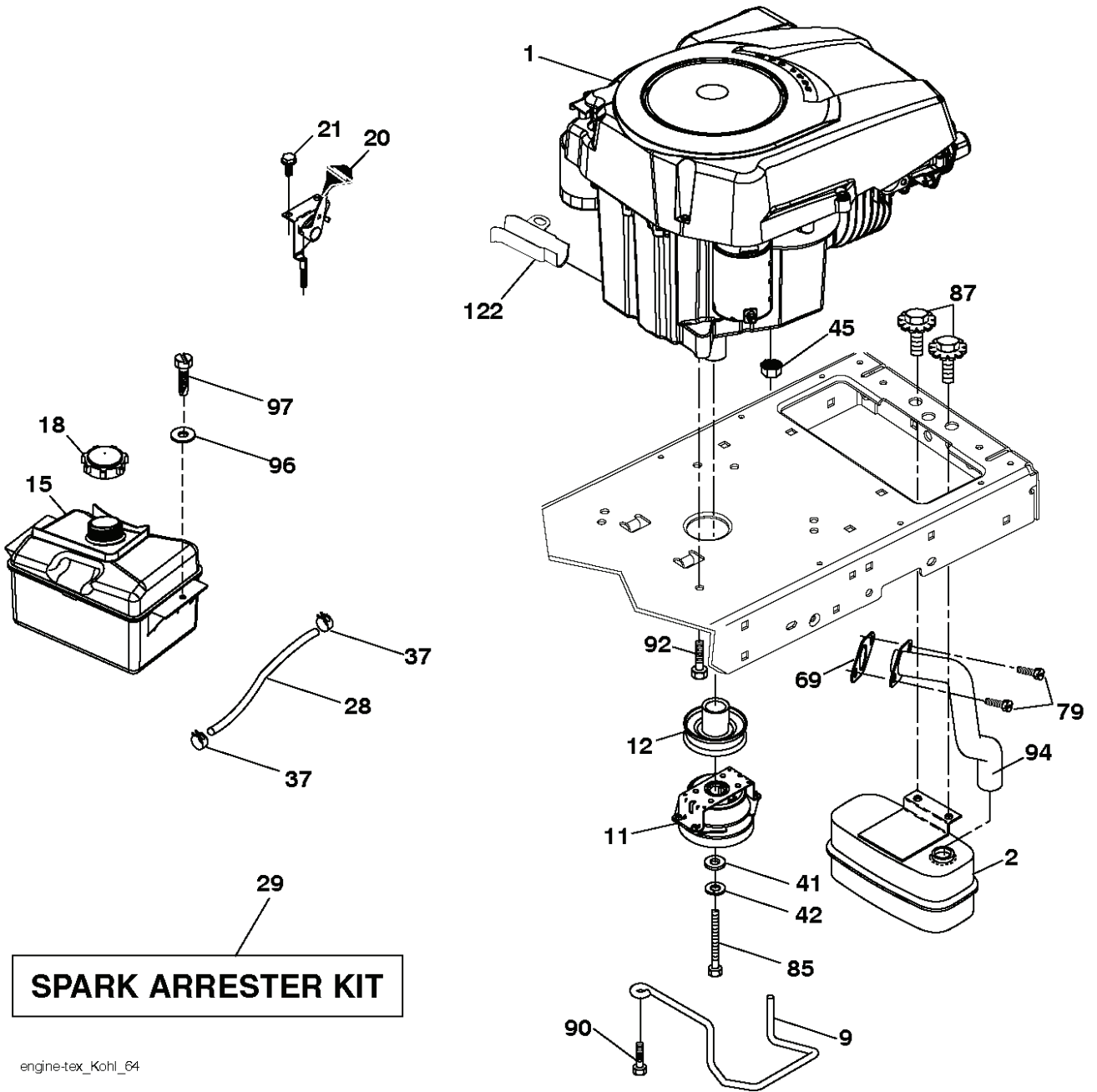
With Charge Indicator Option



With Service Minder Option

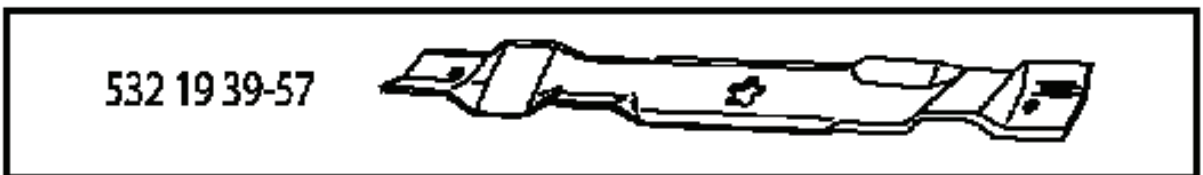
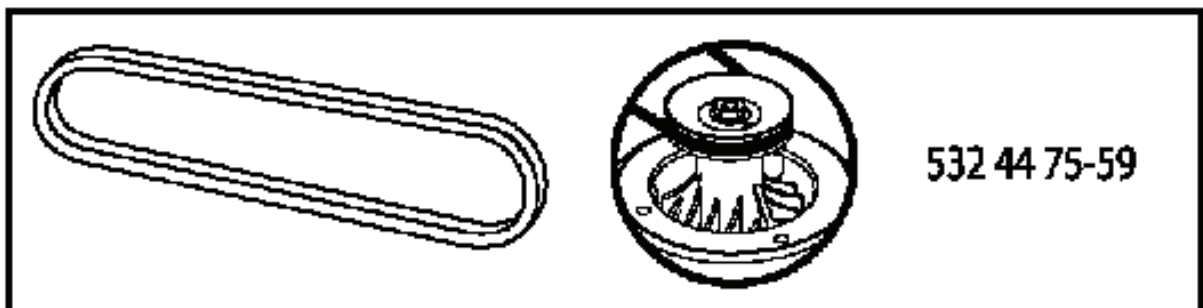
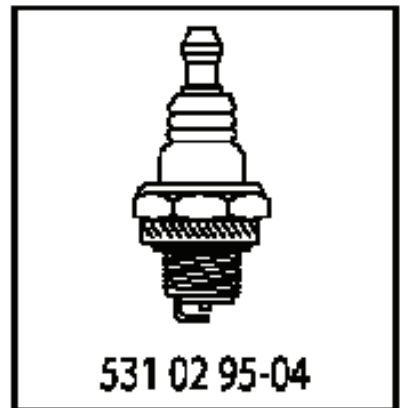
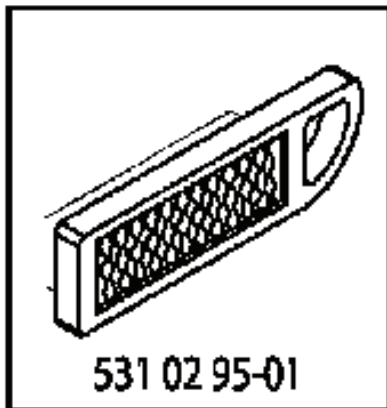


| REF. | ART. NR | ARTIKELBESKRIVNING | ANMÄRKNING | KIT |
|------|-----------|--------------------|------------|-----|
| 1 | 532163465 | BATTERI | | 0 |
| 2 | 874760412 | BULT | | 0 |
| 8 | 532193228 | LÅDA | | 0 |
| 16 | 532176138 | MIKROBRYTARE | | 0 |
| 21 | 532400252 | SELE | | 0 |
| 22 | 532004152 | GLÖDLAMPA | | 0 |
| 25 | 585555401 | KABEL | | 0 |
| 26 | 532175158 | SÄKRING | | 0 |
| 27 | 873510400 | MUTTER | | 0 |
| 28 | 532198885 | KABEL | | 0 |
| 29 | 532401545 | BRYTARE | | 0 |
| 30 | 532193350 | TÄNDMODUL | | 0 |
| 33 | 532411935 | TANGENT | | 0 |
| 34 | 532110712 | BRYTARE | | 0 |
| 40 | 581022701 | SELE | | 0 |
| 41 | 817720408 | SCREW | | 1 |
| 42 | 532131563 | KÅPA | | 1 |
| 43 | 532192507 | SOLENOID | | 0 |
| 50 | 532174651 | BRYTARE | | 1 |
| 55 | 817060512 | SCREW | | 0 |
| 71 | 532441544 | SELE | | 0 |
| 79 | 532175242 | HÅLLARE | | 0 |
| 90 | 532435395 | KOPPLINGS SKYDD | | 0 |
| 102 | 532404454 | KABEL | | 1 |
| 105 | 532407568 | BRYTARE | | 1 |
| 142 | 583857801 | SELE | | 1 |
| 143 | 532448059 | SELE | | 1 |

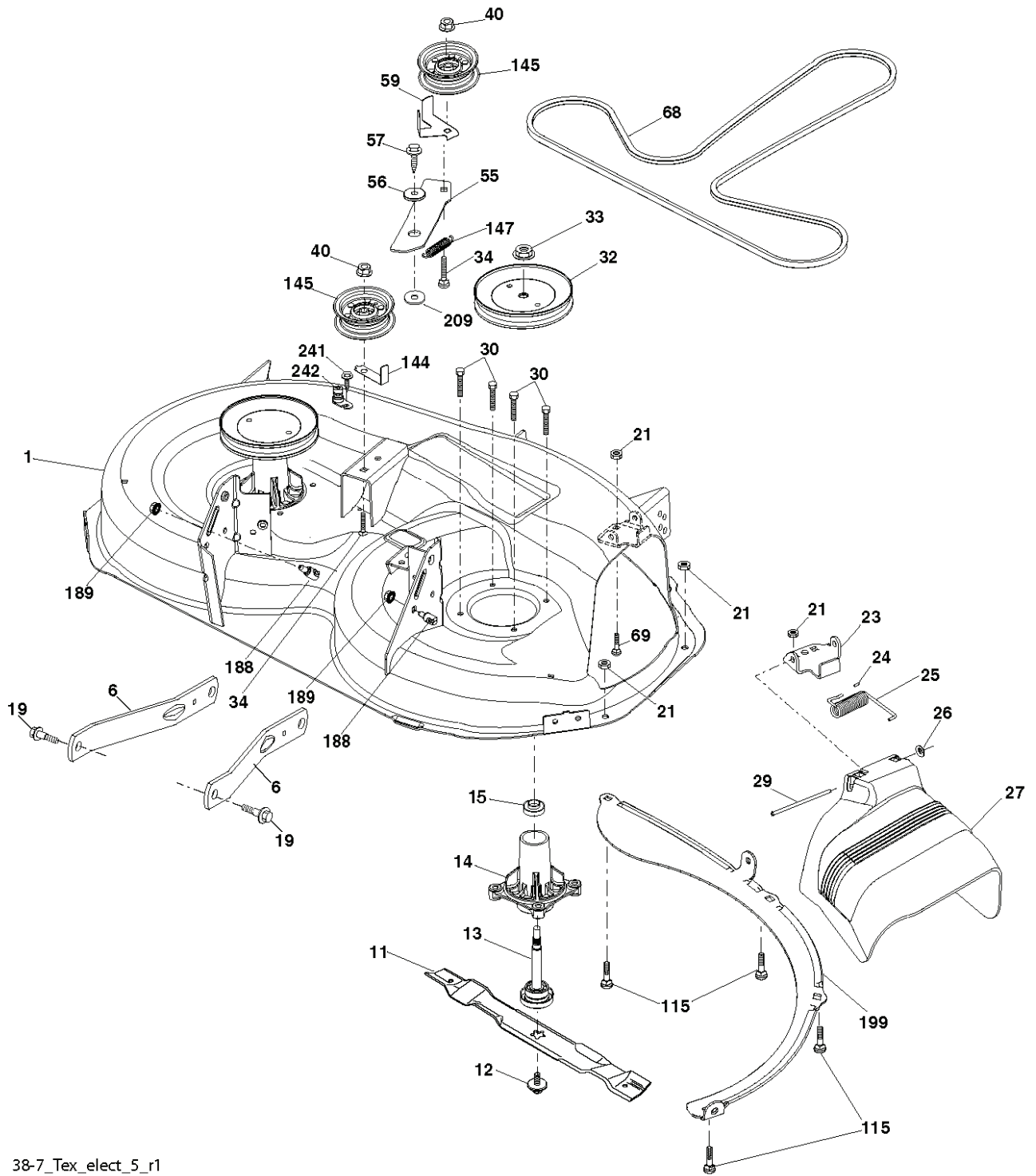


SPARK ARRESTER KIT

| REF. | ART. NR | ARTIKELBESKRIVNING | ANMÄRKNING | KIT |
|------|-----------|--------------------|--|-----|
| 1 | 000000000 | W/O DESCRIPTION | ENGINE KOHLER MODEL NO. SV471-3210 (585507301) | 0 |
| 2 | 580532301 | LJUDDÄMPARE | | 0 |
| 9 | 584908001 | STYRNING | | 0 |
| 11 | 587241501 | KOPPLING | | 1 |
| 12 | 532405097 | REMSKIVA | | 0 |
| 15 | 581289901 | TANK | | 0 |
| 18 | 532430220 | FUEL CAP | | 0 |
| 20 | 532183897 | REGLAGE | | 0 |
| 21 | 532416358 | SCREW | | 0 |
| 28 | 532137040 | SLANG | | 0 |
| 29 | 532137180 | SPARK ARRESTER KIT | | 0 |
| 37 | 532123487 | SLANGKLÄMMA | | 0 |
| 41 | 532126197 | BRICKA | | 1 |
| 42 | 810040700 | BRICKA | | 0 |
| 45 | 873510400 | MUTTER | | 0 |
| 69 | 532185909 | PACKNING | | 0 |
| 79 | 532192334 | SCREW | | 0 |
| 85 | 581332804 | BULT | | 1 |
| 87 | 532171877 | BULT | | 0 |
| 90 | 817000616 | SCREW | | 0 |
| 92 | 817120616 | SCREW | | 0 |
| 94 | 583955301 | RÖR | | 0 |
| 96 | 819091416 | BRICKA | | 0 |
| 97 | 817670412 | SCREW | | 0 |
| 122 | 532421922 | EXTENSION PIPE | | 0 |

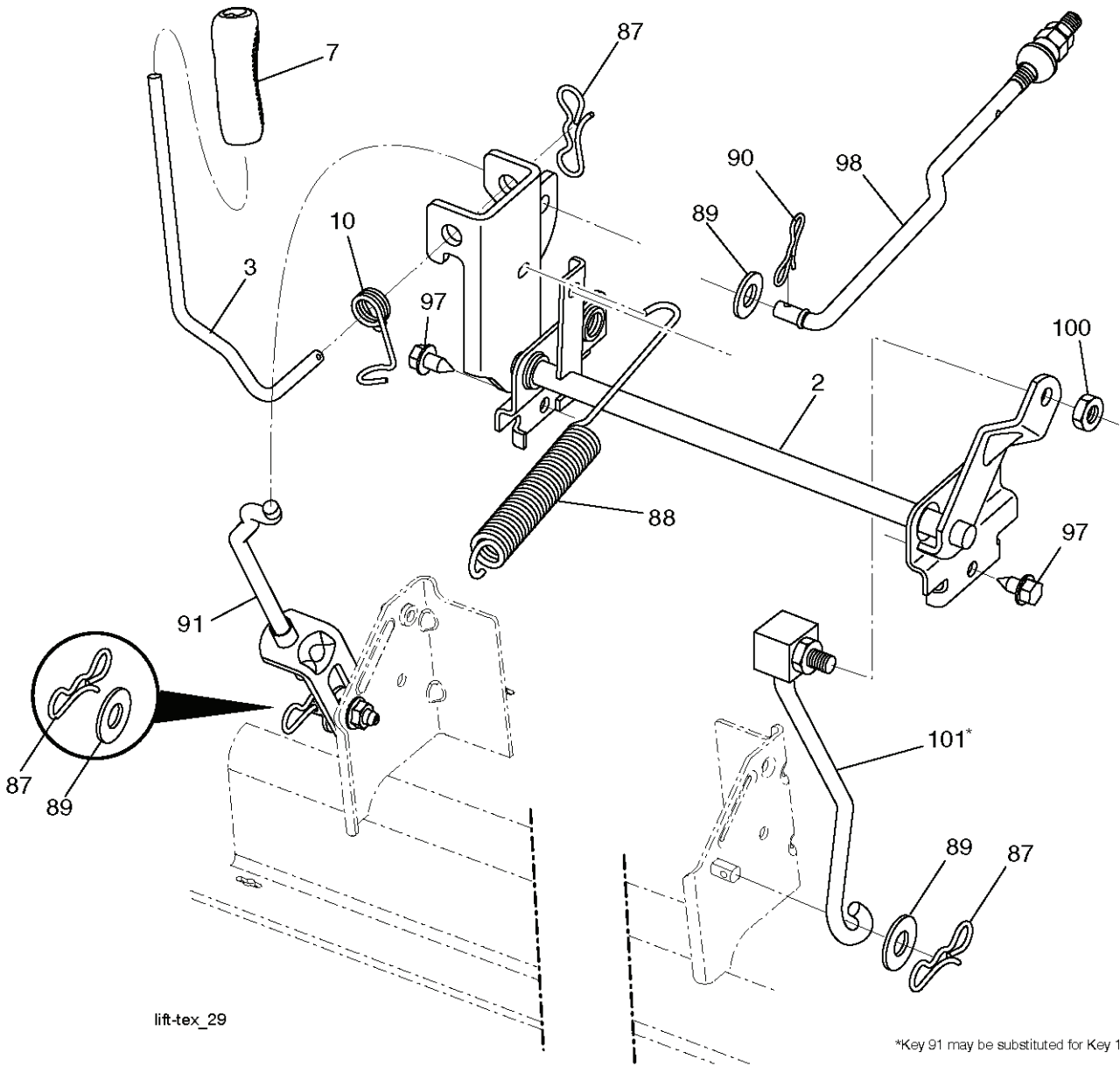


| REF. | ART. NR | ARTIKELBESKRIVNING | ANMÄRKNING | KIT |
|-----------|-----------|--------------------|------------|-----|
| 531029501 | 531029501 | LUFTFILTER | | 0 |
| 531029504 | 531029504 | TÄNDSTIFT | | 0 |
| 531029502 | 531029502 | FILTER | | 0 |
| 531029503 | 531029503 | FILTER | | 0 |
| 532130969 | 532130969 | REM | | 0 |
| 532447559 | 532447559 | REM | | 0 |
| 532193957 | 532193957 | RIDE ON BLADE | | 0 |



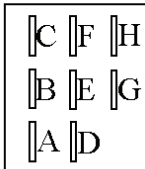
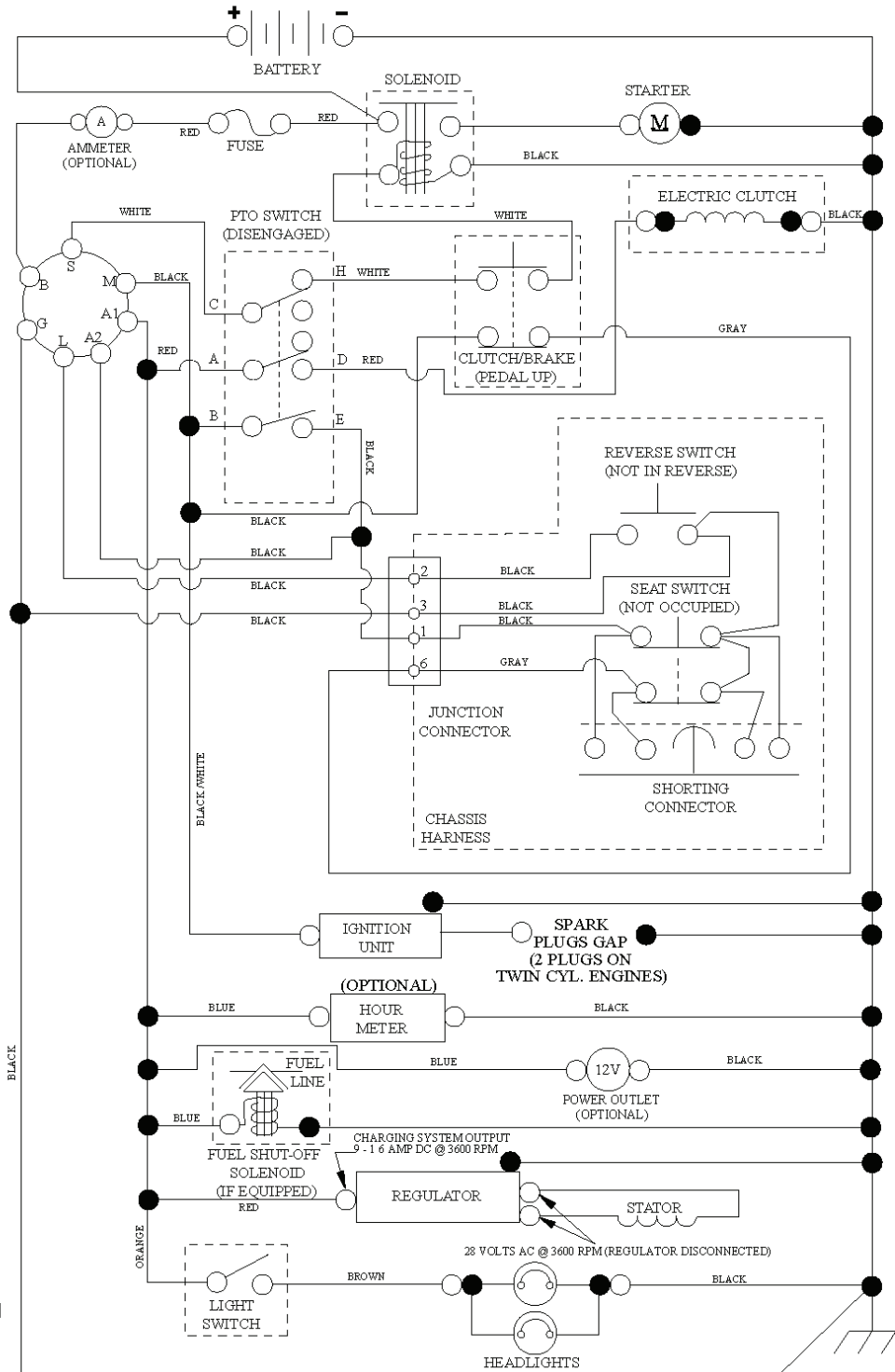
38-7_Tex_elect_5_r1

| REF. | ART. NR | ARTIKELBESKRIVNING | ANMÄRKNING | KIT |
|------|-----------|--------------------|---|-----|
| 1 | 532444163 | HUS | | 0 |
| 6 | 532195186 | ARM | | 0 |
| 11 | 532138497 | KNIV | | 0 |
| 12 | 584309301 | SCREW | | 1 |
| 13 | 587256501 | AXEL | | 0 |
| 14 | 532187281 | LAGERHUS | | 0 |
| 15 | 585323901 | LAGER | | 0 |
| 19 | 532196539 | BULT | | 0 |
| 21 | 873680500 | MUTTER | | 0 |
| 23 | 532192557 | GÅNGJÄRN | | 0 |
| 24 | 532105304 | NAVKAPSEL | | 0 |
| 25 | 532197026 | VRIDEFJÄDER | | 0 |
| 26 | 532110452 | MUTTER | | 0 |
| 27 | 532401472 | DEFLEKTOR | | 0 |
| 29 | 532131491 | AXEL | | 0 |
| 30 | 532173984 | SCREW | | 0 |
| 32 | 532153532 | REMSKIVA | | 0 |
| 33 | 532400234 | MUTTER | | 0 |
| 34 | 872110612 | BULT | | 0 |
| 40 | 873900600 | MUTTER | | 0 |
| 55 | 532197249 | ARM | | 0 |
| 56 | 532199092 | DISTANSBRICKA | | 0 |
| 57 | 817000616 | SCREW | | 0 |
| 59 | 532141043 | SKYDD | | 0 |
| 68 | 532447559 | REM | | 0 |
| 69 | 872140505 | BULT | | 0 |
| 115 | 872110505 | BULT | | 0 |
| 144 | 532193414 | REMSTYRARE | | 0 |
| 145 | 532193197 | REMSKIVA | | 0 |
| 147 | 532401872 | FJÄDER | | 0 |
| 188 | 532195161 | STUD | | 0 |
| 189 | 873900500 | MUTTER | | 0 |
| 199 | 532400095 | SKYDD | | 0 |
| 209 | 819133210 | BRICKA | | 0 |
| 241 | 532152927 | SCREW | | 0 |
| 242 | 532415598 | SLANGANSLUTNING | | 0 |
| -- | 587253301 | DORN | MANDREL ASSEMBLY (Includes Housing (Key # 14), Shaft Assembly (Key # 13) and Bearing Only (Key # 15) - Pulley/Nut/Washer and Blade Bolt/Washers Not Included) | 0 |
| -- | 580304501 | KLIPPAGGREGAT | | 0 |

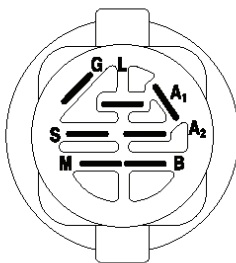


lift-tex_29

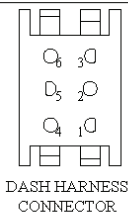
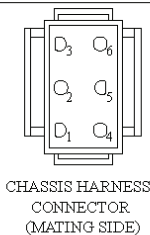
| REF. | ART. NR | ARTIKELBESKRIVNING | ANMÄRKNING | KIT |
|------|-----------|--------------------|------------|-----|
| 2 | 532422027 | AXEL | | 0 |
| 3 | 532195231 | HÄVARM | | 0 |
| 7 | 580962301 | GREPP | | 0 |
| 10 | 532196314 | FJÄDER | | 0 |
| 87 | 532194209 | FJÄDER | | 0 |
| 88 | 532410710 | FJÄDER | | 0 |
| 89 | 819191912 | BRICKA | | 0 |
| 90 | 532194208 | TAPP | | 0 |
| 91 | 532195181 | LÄNK | | 0 |
| 97 | 817000612 | SCREW | | 0 |
| 98 | 532195270 | LÄNK | | 0 |
| 100 | 873930600 | MUTTER | | 0 |
| 101 | 532407003 | LÄNK | | 0 |



PTO SWITCH (MATING SIDE)



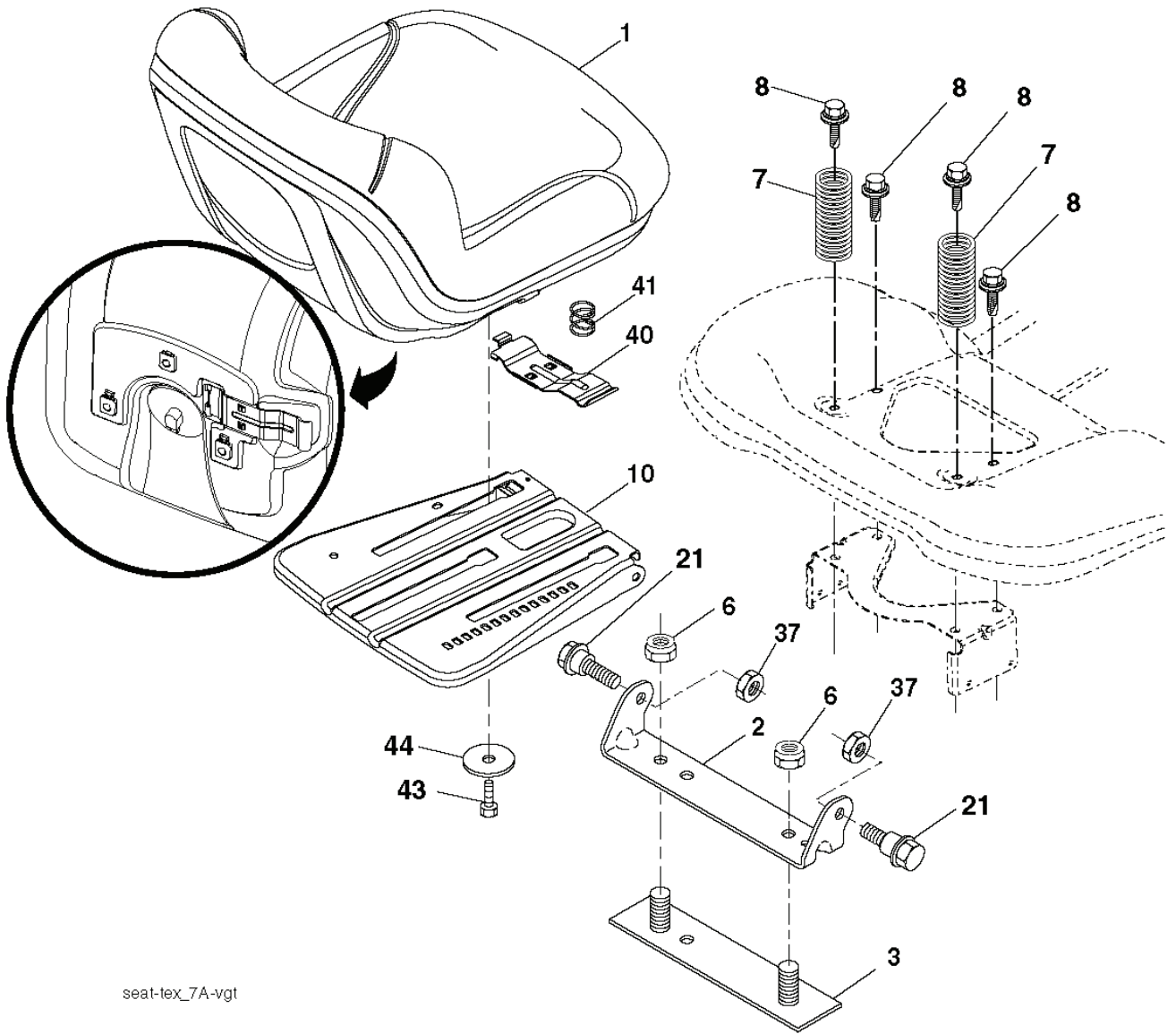
| POSITION | CIRCUIT | "MAKE" |
|--------------|------------|--------|
| OFF | M+G+A1 | |
| RUN/OVERRIDE | B+A1 | |
| RUN | B+A1 | L+A2 |
| START | B + S + A1 | |



WIRING INSULATED CLIPS
 NOTE: IF WIRING INSULATED CLIPS WERE REMOVED FOR SERVICING OF UNIT, THEY SHOULD BE RE-INSTALLED TO PROPERLY SECURE YOUR WIRING.

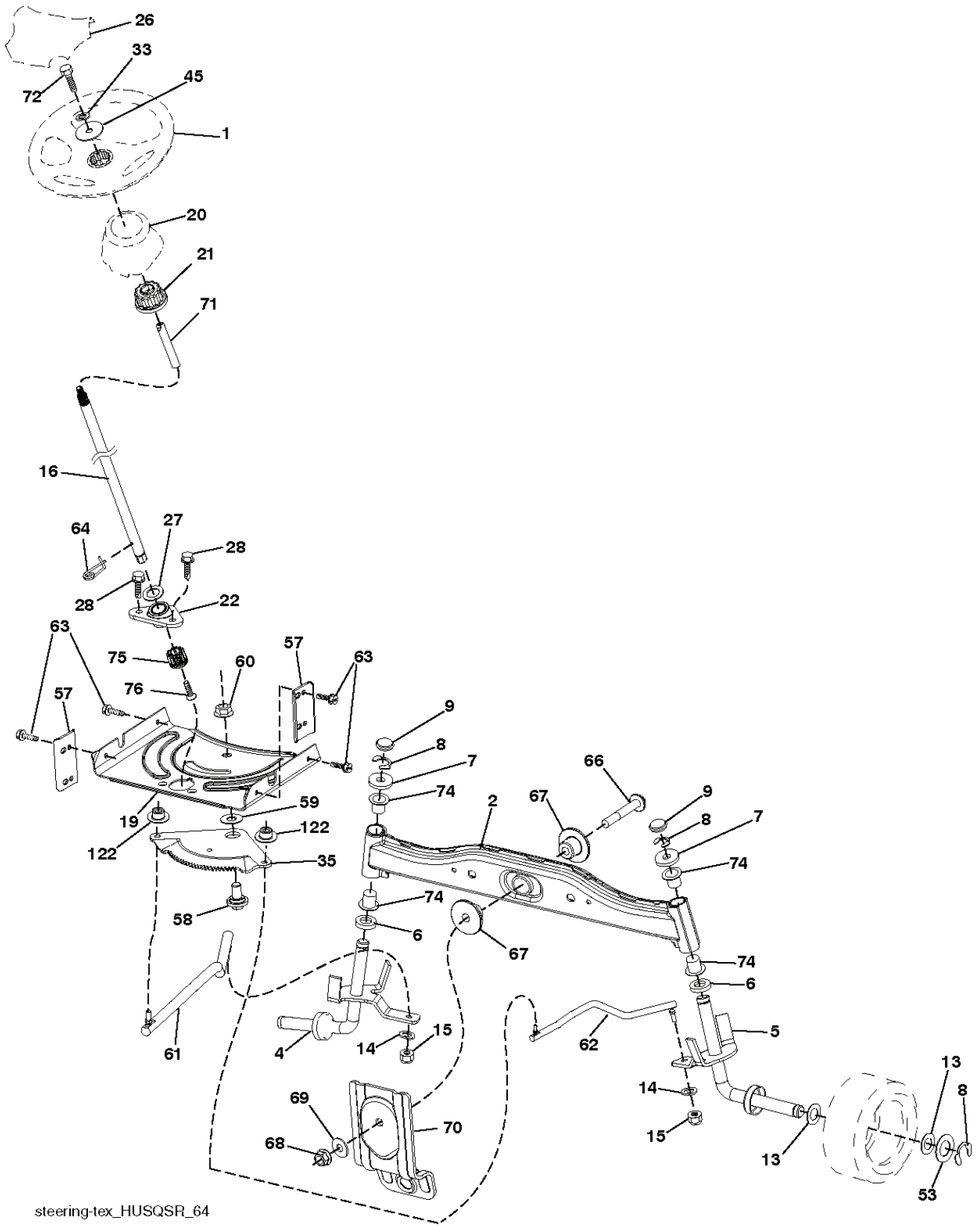
NON-REMOVABLE CONNECTIONS

REMOVABLE CONNECTIONS



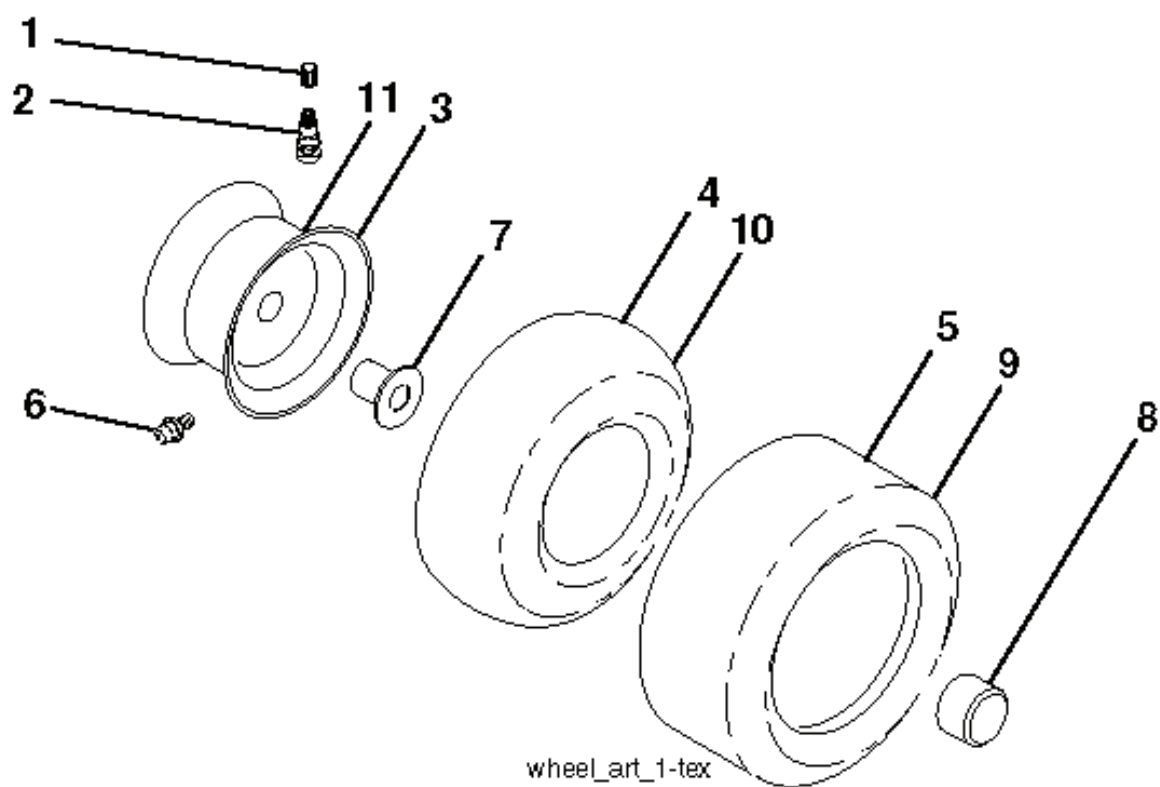
seat-tex_7A-vgt

| REF. | ART. NR | ARTIKELBESKRIVNING | ANMÄRKNING | KIT |
|------|-----------|--------------------|------------|-----|
| 1 | 532439819 | SÅTE | | 0 |
| 2 | 532180166 | FÄSTE | | 0 |
| 3 | 532140675 | SPÄNNBAND | | 0 |
| 6 | 873800600 | MUTTER | | 0 |
| 7 | 532124181 | FJÄDER | | 0 |
| 8 | 532171877 | BULT | | 0 |
| 10 | 532196977 | PLATTA | | 0 |
| 21 | 532171852 | BULT | | 0 |
| 37 | 873800500 | LOCK NUT | | 0 |
| 40 | 532197661 | HANDTAG | | 0 |
| 41 | 532198200 | FJÄDER | | 0 |
| 43 | 874760612 | BULT | | 0 |
| 44 | 819133812 | BRICKA | | 0 |



steering-tex_HUSQSR_64

| REF. | ART. NR | ARTIKELBESKRIVNING | ANMÄRKNING | KIT |
|------|-----------|--------------------|------------|-----|
| 1 | 532439740 | RATT | | 0 |
| 2 | 532418168 | AXEL | | 0 |
| 4 | 532403087 | SPINDEL | | 0 |
| 5 | 532403088 | SPINDEL | | 0 |
| 6 | 532124931 | BRICKA | | 0 |
| 7 | 532121748 | BRICKA | | 0 |
| 8 | 812000029 | FLÄNSRING | | 0 |
| 9 | 532121232 | NAVKAPSEL | | 0 |
| 13 | 532121749 | BRICKA | | 0 |
| 14 | 810040600 | BRICKA | | 0 |
| 15 | 873540600 | MUTTER | | 0 |
| 16 | 585869202 | AXEL | | 0 |
| 19 | 532194729 | PLATTA | | 0 |
| 20 | 532441425 | KÅPA | | 0 |
| 21 | 532186737 | ADAPTER | | 0 |
| 22 | 585029802 | LAGER | | 0 |
| 26 | 532439743 | NAVKAPSEL | | 0 |
| 27 | 819211616 | BRICKA | | 1 |
| 28 | 817000612 | SCREW | | 0 |
| 33 | 810040500 | BRICKA | | 0 |
| 35 | 532194732 | PLATTA | | 0 |
| 45 | 819113812 | BRICKA | | 0 |
| 53 | 532188967 | BRICKA | | 0 |
| 57 | 532407465 | FÄSTE | | 0 |
| 58 | 532194747 | BULT | | 0 |
| 59 | 532194748 | BRICKA | | 0 |
| 60 | 873971000 | MUTTER | | 0 |
| 61 | 532194740 | LÄNK | | 0 |
| 62 | 532194741 | LÄNK | | 0 |
| 63 | 817000512 | SCREW | | 0 |
| 64 | 532199849 | FJÄDERFÄSTE | | 0 |
| 66 | 871020748 | BULT | | 0 |
| 67 | 532194737 | BUSHING | | 0 |
| 68 | 873900700 | MUTTER | | 0 |
| 69 | 532199162 | BRICKA | | 0 |
| 70 | 532196197 | FÄSTE | | 0 |
| 71 | 532190752 | AXEL | | 0 |
| 72 | 532428982 | BULT | | 0 |
| 74 | 532124937 | BEARING COL. STRG. | | 0 |
| 75 | 580683701 | DREV | | 1 |
| 76 | 580683601 | SCREW | | 1 |
| 122 | 532444962 | HATT | | 1 |



wheel_art_1-tex

| REF. | ART. NR | ARTIKELBESKRIVNING | ANMÄRKNING | KIT |
|------|-----------|--------------------|---------------------------|-----|
| 1 | 532059192 | CAP VALVE | | 0 |
| 2 | 532065139 | NIPPEL | | 0 |
| 3 | 532138336 | FÄLG | Front 6" | 0 |
| 4 | 532059904 | SLANG | Front (Service Item Only) | 0 |
| 5 | 532106222 | DÄCK | Front 15 x 6.0-6 | 0 |
| 6 | 532124957 | FITTING | (Front Wheel Only) | 0 |
| 7 | 532124959 | LAGER | (Front Wheel Only) | 0 |
| 8 | 532175039 | NAVKAPSEL | | 0 |
| 9 | 532420531 | DÄCK | Rear 18 x 9.5-8 | 0 |
| 10 | 532124926 | SLANG | Rear (Service Item Only) | 0 |
| 11 | 532138337 | RINGDREV | Rear 8" | 0 |
| -- | 532144334 | SEALING FOAM | | 0 |
| | ART. NR | | ANMÄRKNING | KIT |