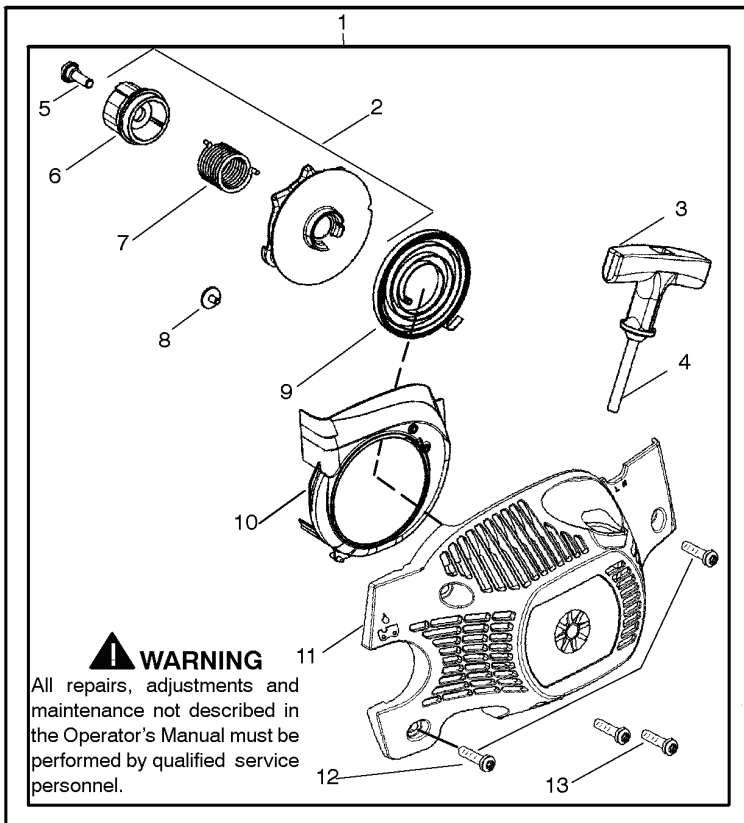


RESERVDELSKATALOG
: HUSQVARNA

Reservdelslista

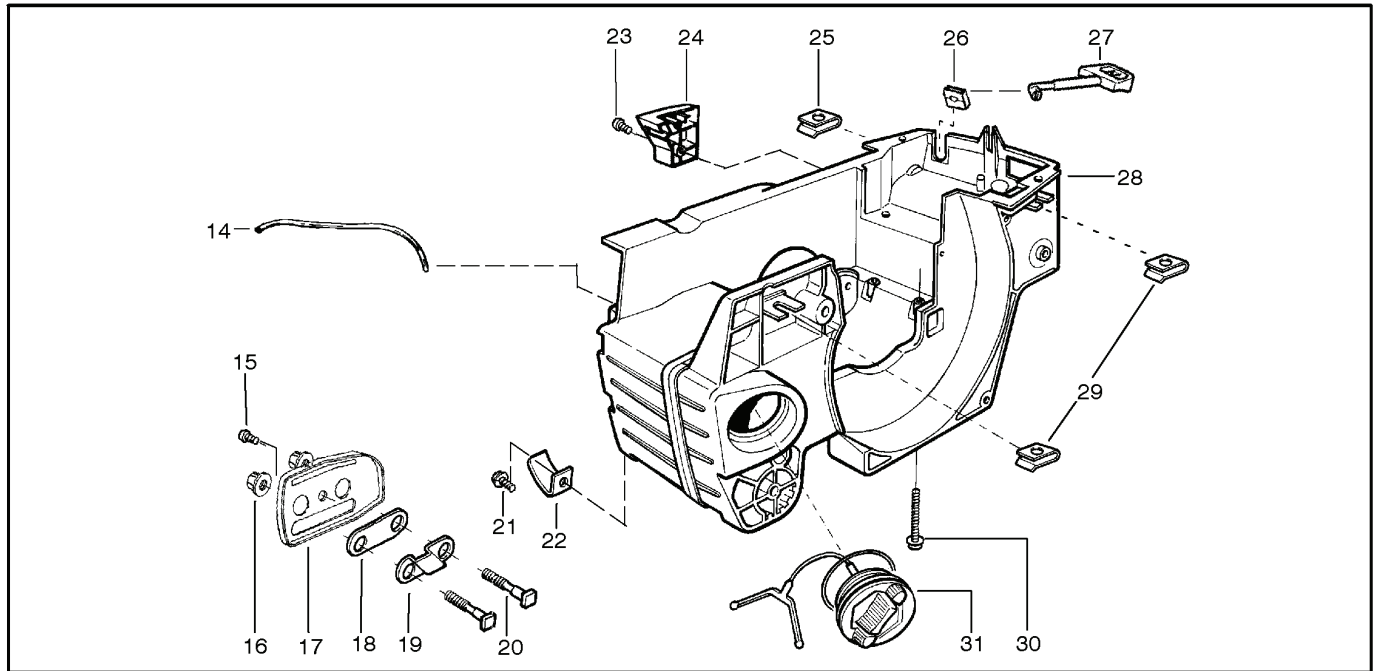
RESERVDELSLISTA

PARTS LIST NO. 530165406-01		Husqvarna® PARTS LIST	CHAIN SAW MODEL(S) 142 Export
DATE 12/07/04	Replaces 11/10/04 - 530165405-01		Note: Illustration may differ from actual model due to design changes



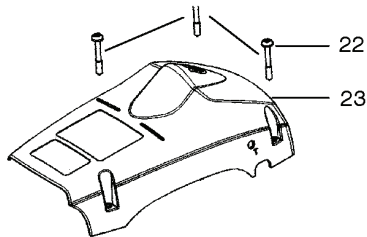
REF.	ART. NR	ARTIKELBESKRIVNING	ANMÄRKNING	KIT
1	530071968	STARTER DEVICE		1
2	530071966	LINHJUL		1
3	530038491	HANDTAG		1
4	530069232	STARTSNÖRE		1
5	530021179	SCREW		1
6	530059677	HYLSA		1
7	530021180	FJÄDER		1
8	530016392	SCREW		1
9	530042095	FJÄDER		1
10	530059959	SKYDD		1
11	530059958	STARTAPPARAT		1
12	530015893	SCREW		1
13	530015892	SCREW		1

PARTS LIST NO. 530165406-01		Husqvarna® PARTS LIST	CHAIN SAW MODEL(s) 142 Export
DATE 12/07/04	Replaces 11/10/04 - 530165405-01		PAGE NO. 3
Note: Illustration may differ from actual model due to design changes			



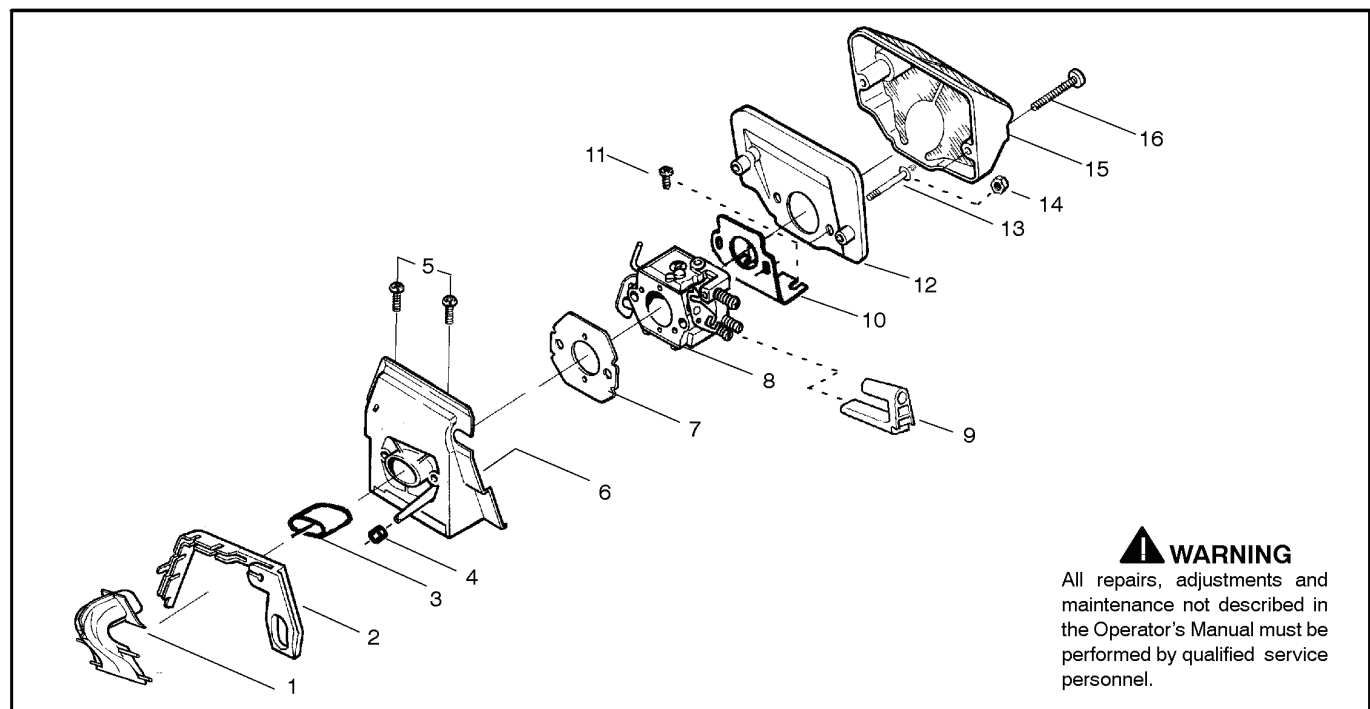
REF.	ART. NR	ARTIKELBESKRIVNING	ANMÄRKNING	KIT
14	530052440	RÖR		1
15	530015896	SCREW		1
16	530015917	MUTTER		1
17	530047855	PLATTA		1
18	530019228	TÄTNING		1
19	530036043	STÖD		1
20	530015877	BULT		1
21	530015878	SCREW		1
22	530029850	KEDJEFÅNGARE		1
23	530015893	SCREW		1
24	530052428	KÅPA		1
25	530015922	MUTTER		1
26	530029830	STYRNING		1
27	530029831	CHOKEREGGLAGE		1
28	530071991	VEVHUS		1
29	530015922	MUTTER		1
30	530016037	SCREW		1
31	501765602	TANKLOCK KPL		1

PARTS LIST NO. 530165406-01		Husqvarna® PARTS LIST	CHAIN SAW MODEL(s) 142 Export
DATE 12/07/04	Replaces 11/10/04 - 530165405-01		Note: Illustration may differ from actual model due to design changes



REF.	ART. NR	ARTIKELBESKRIVNING	ANMÄRKNING	KIT
22	530016154	SCREW		1
23	530059960	CYLINDERKÅPA		1

PARTS LIST NO. 530165406-01		Husqvarna® PARTS LIST	CHAIN SAW MODEL(S) 142 Export
DATE 12/07/04	Replaces 11/10/04 - 530165405-01		Note: Illustration may differ from actual model due to design changes

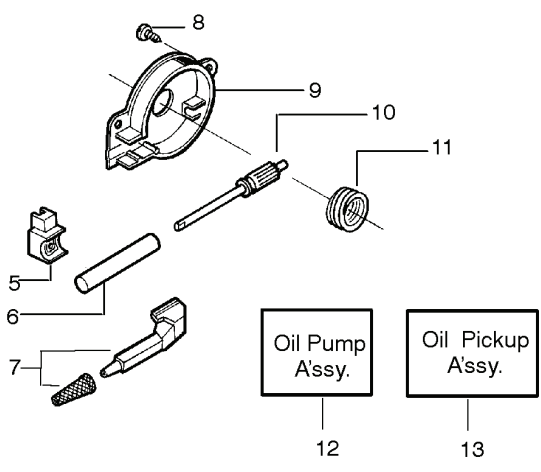
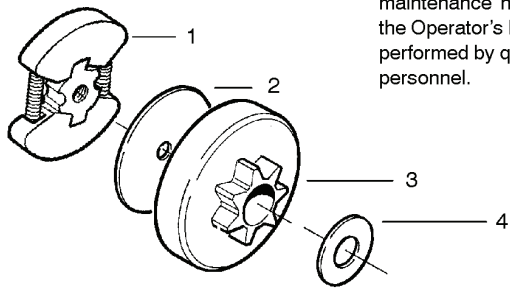


REF.	ART. NR	ARTIKELBESKRIVNING	ANMÄRKNING	KIT
1	530029813	JET		1
2	530019203	TÄTNING		1
3	530029814	RÖR		1
4	530053435	SLANG		1
5	530015814	SCREW		1
6	530037465	ADAPTER		1
7	530019172	PACKNING		1
8	530071987	FÖRGASARE		1
9	530035587	PASSAGE		1
10	530047767	STÖD		1
11	530015896	SCREW		1
12	530036582	HÅLLARE		1
13	530015968	SCREW		1
14	530016008	MUTTER		1
15	530029811	LUFTFILTER		1
16	530015899	SCREW		1

PARTS LIST NO. 530165406-01		Husqvarna® PARTS LIST	CHAIN SAW MODEL(s) 142 Export
DATE 12/07/04	Replaces 11/10/04 - 530165405-01		Note: Illustration may differ from actual model due to design changes

⚠ WARNING

All repairs, adjustments and maintenance not described in the Operator's Manual must be performed by qualified service personnel.

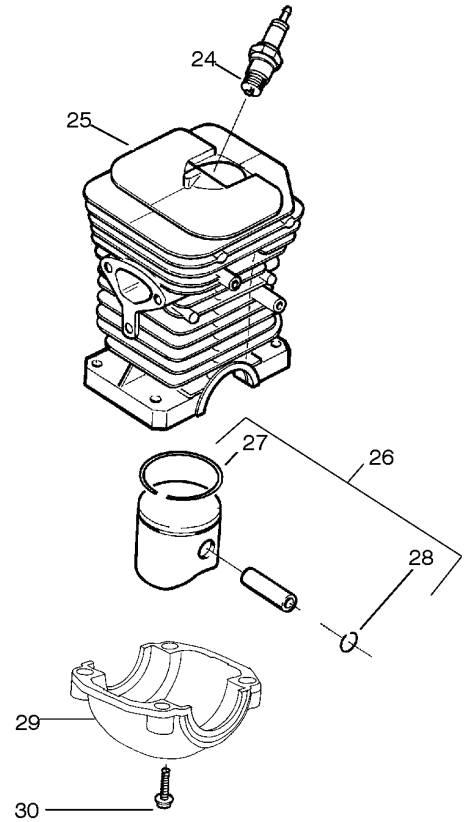


REF.	ART. NR	ARTIKELBESKRIVNING	ANMÄRKNING	KIT
1	530014949	KOPPLING		1
2	530015611	BRICKA		1
530047061	530047061	KOPPLINGSTRUMMA KPL		1
530048132	530048132	KOPPLINGSTRUMMA		1
4	530015907	BRICKA		1
5	530019174	TÄTNING		1
6	530029834	BARREL		1
7	530014776	OIL PICK-UP		1
8	530015896	SCREW		1
9	530029835	HUS		1
10	530029838	KOLV		1
11	530029833	PUMP		1
12	530014410	OLJEPUMP		1
13	530069385	SCALE		1

PARTS LIST NO. 530165406-01		Husqvarna® PARTS LIST	CHAIN SAW MODEL(e) 142 Export
DATE 12/07/04	Replaces 11/10/04 - 530165405-01		Note: Illustration may differ from actual model due to design changes

⚠ WARNING

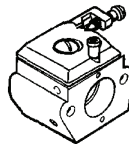
All repairs, adjustments and maintenance not described in the Operator's Manual must be performed by qualified service personnel.



REF.	ART. NR	ARTIKELBESKRIVNING	ANMÄRKNING	KIT
24	952030150	TÄNDSTIFT		1
25	530069941	CYLINDER		1
26	530069454	KOLV		1
27	530029982	KOLVRING		1
28	530015697	LOCKING RING		1
29	530049794	VEVHUS		1
30	530015897	SCREW		1
530031135	530031135	SKIFTNYCKEL		1
530047839	530047839	DEKAL		1

PARTS LIST NO. 530165406-01		Husqvarna® PARTS LIST	CHAIN SAW MODEL(S) 142 Export
DATE 12/07/04	Replaces 11/10/04 - 530165405-01		Note: Illustration may differ from actual model due to design changes

Kit - Carburetor Assembly No. 530071987 - Zama W-29



Carb
Repair
Kit

1

Ref.	Part No.	Description
1.	530035269	Kit-Carburetor Repair (Zama)

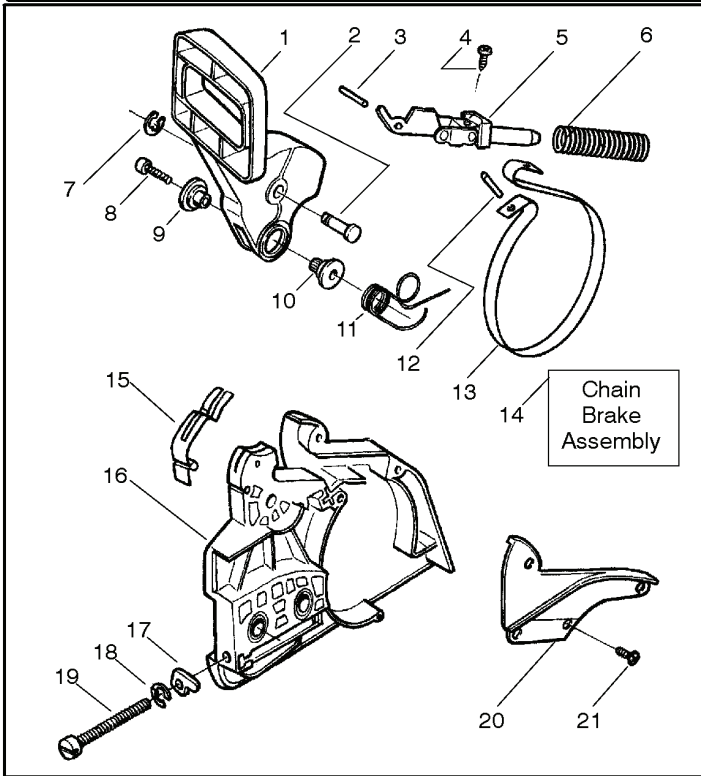
⚠ WARNING

All repairs, adjustments and maintenance not described in the Operator's Manual must be performed by qualified service personnel.

✓ = NEW PART NUMBER FOR THIS IPL * = REFER TO THE SERVICE REFERENCE INDICATED FOR MORE INFORMATION. (LOCATED AT END OF IPL)
● = THESE PARTS ARE ILLUSTRATED FOR CLARITY. ORDER COMPLETE ASSEMBLY.

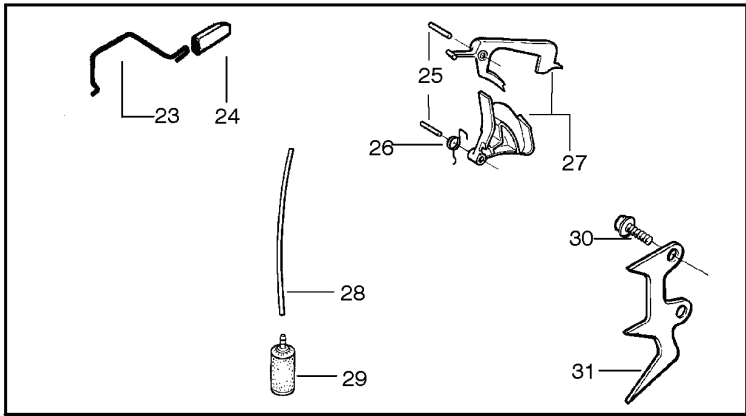
REF.	ART. NR	ARTIKELBESKRIVNING	ANMÄRKNING	KIT
1	530035269	REPARATIONSSATS		1

PARTS LIST NO. 530165406-01		Husqvarna® PARTS LIST	CHAIN SAW MODEL(S) 142 Export
DATE 12/07/04	Replaces 11/10/04 - 530165405-01		Note: Illustration may differ from actual model due to design changes



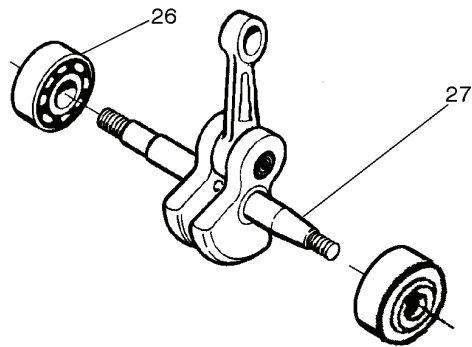
REF.	ART. NR	ARTIKELBESKRIVNING	ANMÄRKNING	KIT
1	530071348	HÄVARM		1
2	530029879	SCREW		1
3	530015915	SCREW		1
4	530015911	SCREW		1
5	530054741	KNEE LINK		1
6	530016237	FJÄDER		1
7	530024419	SPÄRRYTARE		1
8	530016384	SCREW		1
9	530056531	AXELTAPP		1
10	530029881	AXELTAPP		1
11	530015910	FJÄDER		1
12	530015913	PENNOR		1
13	530052232	BROMSBAND		1
14	530054802	KEDJEBROMS KPL		1
15	530029878	FJÄDER		1
16	530049483	KOPPLINGSKÅPA		1
17	530015826	PENNOR		1
18	530038593	HÅLLARE		1
19	530016110	SCREW		1
20	530053035	KÅPA		1
21	530015911	SCREW		1

PARTS LIST NO. 530165406-01		Husqvarna® PARTS LIST	CHAIN SAW MODEL(s) 142 Export
DATE 12/07/04	Replaces 11/10/04 - 530165405-01		Note: Illustration may differ from actual model due to design changes



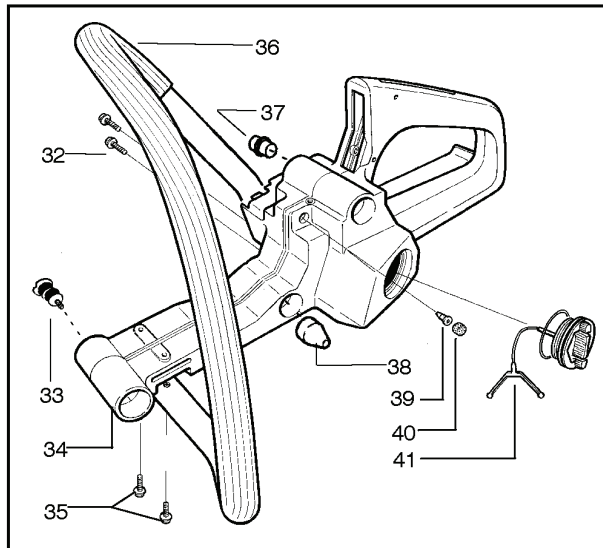
REF.	ART. NR	ARTIKELBESKRIVNING	ANMÄRKNING	KIT
23	530029869	GASSTÅNG		1
24	530029863	NAVKAPSEL		1
25	530029860	SCREW		1
26	530029861	FJÄDER		1
27	530069587	THROTTLE TRIGGER		1
28	530069247	SLANG		1
29	530014497	FILTER		1
30	530016439	SCREW		1
31	530014381	FELLING DOG	NEW PART NUMBER FOR THIS IPL	1

PARTS LIST NO.		Husqvarna® PARTS LIST	CHAIN SAW MODEL(s)
530165406-01			142 Export
DATE	Replaces	Note: Illustration may differ from actual model due to design changes	PAGE NO.
12/07/04	11/10/04 - 530165405-01		2



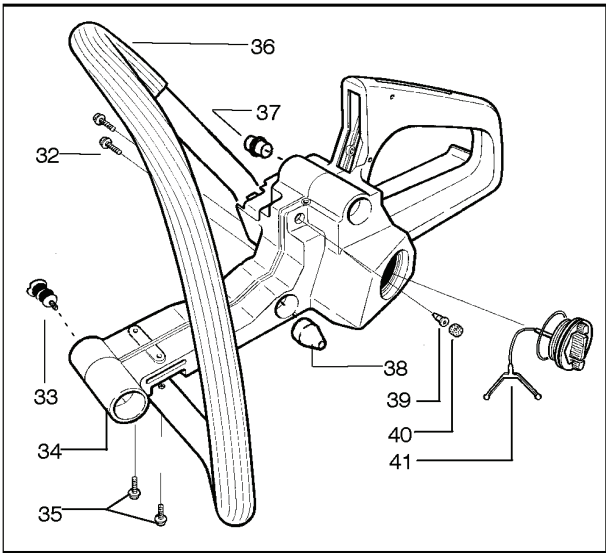
REF.	ART. NR	ARTIKELBESKRIVNING	ANMÄRKNING	KIT
26	530056363	LAGER		1
27	530029794	VEVAXEL		1

PARTS LIST NO. 530165406-01		Husqvarna® PARTS LIST	CHAIN SAW MODEL(s) 142 Export
DATE 12/07/04	Replaces 11/10/04 - 530165405-01		Note: Illustration may differ from actual model due to design changes



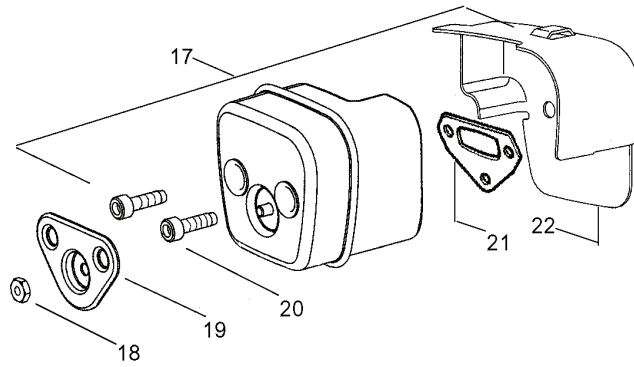
REF.	ART. NR	ARTIKELBESKRIVNING	ANMÄRKNING	KIT
32	530015940	SCREW		1
33	530029870	ISOLATOR		1
34	530052446	TANK		1
35	530015843	SCREW		1
36	530059961	HANDTAG		1
37	530052439	MOVEMENT LIMITER		1
38	530029984	LIMITER		1
39	530026119	VENTIL		1
40	530038264	PLUGG		1
41	530071266	FUEL CAP		1

PARTS LIST NO. 530165406-01		Husqvarna® PARTS LIST	CHAIN SAW MODEL(s) 142 Export
DATE 12/07/04	Replaces 11/10/04 - 530165405-01		Note: Illustration may differ from actual model due to design changes



REF.	ART. NR	ARTIKELBESKRIVNING	ANMÄRKNING	KIT
14				1
15	530403257	KABEL		1
16	530015896	SCREW		1
17	503717901	STOPPKONTAKT		1
18	530059637	SVÅNGHJUL KPL		1
19	530015127	BRICKA		1
20	530016134	MUTTER		1
21	530015895	SCREW		1
22	530039239	TÄNDMODUL		1

PARTS LIST NO. 530165248		Husqvarna® PARTS LIST	CHAIN SAW MODEL(s) 142 North America
DATE 4/09/08	Replaces 530165248 - 2/21/08		Note: Illustration may differ from actual model due to design changes



REF.	ART. NR	ARTIKELBESKRIVNING	ANMÄRKNING	KIT
17	545006044	KIT		1
18	530016359	MUTTER		1
19	530055600	BRICKA		1
20	530016338	BULT		1
21	530055128	PACKNING		1
22	530055171	COUVERCLE		1